

AURORALIGHT

PROJECT: _____

SKU #: _____

TYPE: _____

MOUNT CANOPY

MMC192205

The Mount Canopy, part of an entire family of canopies from Auroralight, offers a stylish and durable way to mount fixtures. The Canopy is designed to fit all STANDARD: 3" or 4" round, flush-mounted electrical service boxes.

- Perfect for hardscape and architectural installation
- Ideal for lightweight and heavyweight fixtures



CONFIGURATOR:

MMC192205	FINISH
() = Most common configuration	<input type="checkbox"/>
	(NAT) Natural Brass
	(BLP) Bronze Living Patina
	(BLPX) Extra Dark BLP
	(NI) Nickel PVD

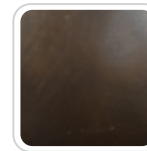
AVAILABLE FINISHES:



NAT
Natural Brass



BLP
Bronze Living Patina



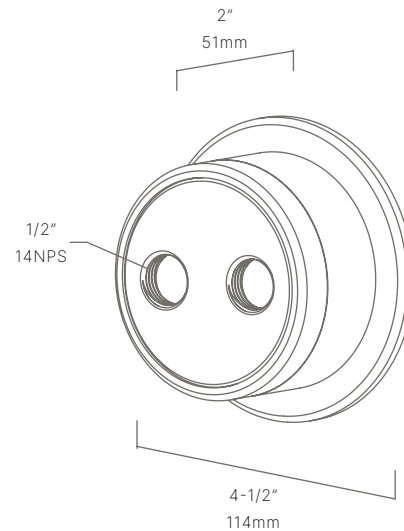
BLPX
Extra Dark Bronze Living Patina



NI
Nickel PVD

DIMENSIONS	L2" x W4-1/2"
VOLTAGE	12V
FINISH	Included Natural Brass
MATERIAL	Brass

*For complete warranty terms, please visit: www.auroralight.com/warranty/



P. 760.931.2910

O. 2742 Loker Ave. W Carlsbad CA 92010

W. www.auroralight.com

MADE IN USA
WITH DOMESTIC & IMPORTED MATERIALS

